



“*Change is in the air*
Let your loved ones
***breath fresh*”**





Index

WELCOME TO AMARYLLIS 01

About US	02
Vision & Mission	03
Certification	04
Wide Range of Products	05
Why Ventilation is important for our Home/Space	06

BATHROOM SERIES I 07

STAR - (B) / STAR - (I) / STAR - (W)	09
BETA	11
GAMMA	13
PHI-(I)/PHI-(W)	15
DELTA-(I)/DELTA-(W)	17
Zeta AW	19
Zeta DW	21

MULTI PURPOSE SERIES II 23

SERIES-X	25
Star-(B) / Star-(W)-8	27
Detal-(W)-8	29

INLINE FANS SERIES-III 31

SIGMA	33
BLOW	35

INDUSTRIAL FANS SERIES IV 37

METAL INLINE SERIES-STF	39
WIND	41

ACCESSORIES 43

FIXED PLASTIC GRILL	44
ROUND PLASTIC DIFFUSER	44
SQUARE METAL GRILL	45
STAINLESS STEEL GRILL	45
ROUND METAL DIFFUSER	46
ALUMINUM FLEXIBLE DUCT PIPE	46
ALUMINUM FLEXIBLE PIPE CLAMP	46

WELCOME TO AMARYLLIS

Hello and Welcome to Amaryllis!

This year, we are launching a comprehensive Amaryllis product catalogue. We have redesigned and rethought the printed Catalogue you hold in your hands, as well as future marketing materials, in pursuit of the ideal combination of innovation and synergy of shapes and designs. We are inspired by our vision to become your best friend in ventilation system. In that spirit, this edition is dedicated to providing a large number of satisfied customers through our ventilation products and services, as well as being recognised globally through our high-quality products. This edition focuses on improving our ventilation designs and architectures in order to create futuristic and elegant products, as well as how our products can be a win-win solution to various challenges that you face in your daily life in order to have fresh air. We have environment-friendly and premium designs of HVAC and ventilation exhaust fans with Accessories that ensure a better quality of life in one go on the following pages. Amaryllis products never fail to deliver on their promise of a cleaner, more efficient, and dust-free environment, thanks to a spirit of continuous innovation and a commitment to manufacturing the most modern solutions.

AboutUS

Amaryllis has been in business since 2005. Our products are designed to keep your homes, offices, public spaces, and other enclosed areas free of viruses, allergens, and pollutants, bringing about better well-being for you and your family. We have consistently improved our designs and architecture to create futuristic and elegant products that can outperform our competitors by collaborating with many notable interior designers, architects, and health experts from around the world. We at Amaryllis are dedicated to providing our customers with environmentally friendly and premium ventilation products and exhaust fans that improve their quality of life. Amaryllis products never fail to deliver on their promise of a cleaner, more efficient, and dust-free environment, thanks to a spirit of continuous innovation and a commitment to manufacturing the most modern solutions. Amaryllis exhaust fans, which range from high-speed to heavy-duty models, can be used for both domestic and commercial purposes. They are available in different varieties, shapes, and sizes, as well as premium designs, and will not break the bank. Choose a ventilation option that is appropriate for the location of installation, as each fan has unique properties. Amaryllis's solidarity and steadiness stem from its collaboration with the world's most prestigious companies. In our aerodynamics research laboratory, a dedicated team of researchers works tirelessly on challenging attributes to bring you cutting-edge products.

Ourbelief

We firmly believe that our clients deserve to be served with commitment, integrity, fairness, and opportunity. Since we need to procure our client's trust, we are committed to making health and safety a priority in our product development, not only to meet their needs and requirements but also to ensure that they carry on with a superior life. Our core business value is to create a profound bond with our customers. As a result, every action and decision we make is solely motivated by our desire to be a trustworthy supplier and an individual's best option for environmentally friendly ventilation products and kitchen appliances.



Vision

Our vision is to give an elevated degree of customer satisfaction through our products and services and be recognized globally for our high-quality products. It will attract both domestic as well as international customers, ultimately motivating our workforce to create a plethora of new solutions for our future endeavors. We aspire to be a leading corporate entity alongside the world's most recognizable green brands.



Mission

Our main goal is to provide our Indian customers with a better quality of life on par with that of the world's developed countries. We additionally plan to standardize eco-friendly and energy-saving household products for our esteemed clients.

Certification



Amaryllis always with
holds the spirits of sincerity
& all Our Products are :

- Novel in style
- Moderate In Price
- Popular by domestic and overseas clients

Wide range of products are suitable for

- Home & Office
- Café & Restaurants
- Shops & Malls
- Hotels & Resorts
- School & Collages
- Basement & Temple
- Healthcare & Hospitals
- Industrial



Why ventilation is important

Ventilation is the process of maintaining an intentional inflow of clean outdoor air into a space while simultaneously removing stale air. Every individual needs access to clean air.

Indoors, commercial, residential, and industrial spaces require proper ventilation to minimise pollutant levels, along with smart temperature and humidity control. Poorly ventilated areas can be harmful to our health. A healthy lifestyle necessitates well-ventilated homes and workplaces.

Even if you live in a busy city centre where the outside appears to be the worst, the air inside our homes can be more polluted. An effective ventilation system will aid in the removal of pollutants, viruses, bacteria, furniture aerosols, kitchen odours, moisture, and other unpleasant air particles.



Control Impurities



Air Regulation



Stop Condensation



Reduce Temperatures



Health Benefits



Feel Fresh 24x7



BATHROOM SERIES I

1

Bathroom fans are must-have not only to manage odors but also to properly vent hot, moist air that builds up as you bathe or shower, which can lead to mold, cause corrosion to fixtures, and even damage painted and wooden surfaces.





breath fresh



Star
series

Design For:



Bathroom



Kitchen



Living Area



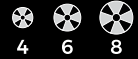
Office



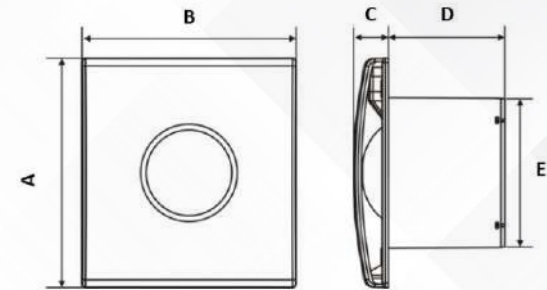
Room



STAR - (B) / STAR - (I) / STAR - (W)



- * Removable front for easy cleaning
- * Design for glass, walls & false ceiling
- * Low noise level
- * High suction capacity
- * Low power consumption
- * ABS plastic body
- * Silicon steel lamination motor
- * Anti-Reflux Shutter
- * Fully copper winding motor
- * Motor is equipped with automatic thermal overload protection
- * Front panel high grade stainless steel (Star-I only)
- * Star (B) & (W) available in 8 inches
- * B-Black / I-SS Finish / W-White



Specifications

Models	A(mm)	B(mm)	C(mm)	D(mm)	E(mm)	Volts/Hz	Watts	Air-Flow (m ³ /hr)	Size
STAR(B)/(I)/(W)-4	150	140	21	72	95	220-240/50	15	88	100
STAR(B)/(I)/(W)-6	200	190	25	93	145	220-240/50	25	310	150
STAR (B)/(W)-8	267	252	37	129	195	220-240/50	25	420	200

breath fresh




Beta
series

Design For:



Bathroom



Kitchen



Living Area



Office



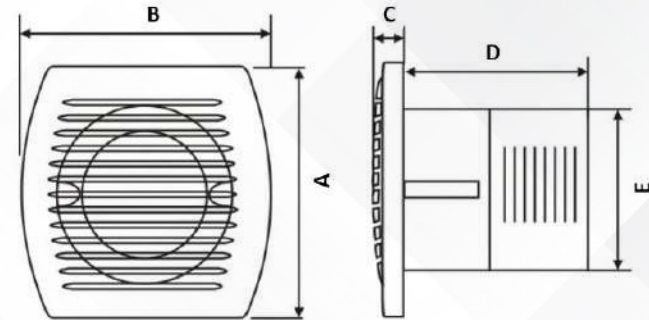
Room



Beta



- * Design for glass, walls & false ceiling
- * Low noise level
- * Screw less installation system
- * High suction capacity
- * Low power consumption
- * ABS plastic body
- * Silicon steel lamination motor
- * Operation indicator light
- * Anti-Reflux Shutter
- * Fully copper winding motor
- * Motor is equipped with automatic thermal overload protection



Fan Models	A(mm)	B(mm)	C(mm)	D(mm)	E(mm)	Volts/Hz	Watts	Air-Flow (m ³ /hr)	Size
BETA-4	140	140	7	93	95	220-240/50	15	88	100
BETA-5	170	170	12	103	118	220-240/50	20	178	125
BETA-6	190	190	13	112	148	220-240/50	25	310	150

breath fresh




Gamma
series

Design For:



Bathroom



Kitchen



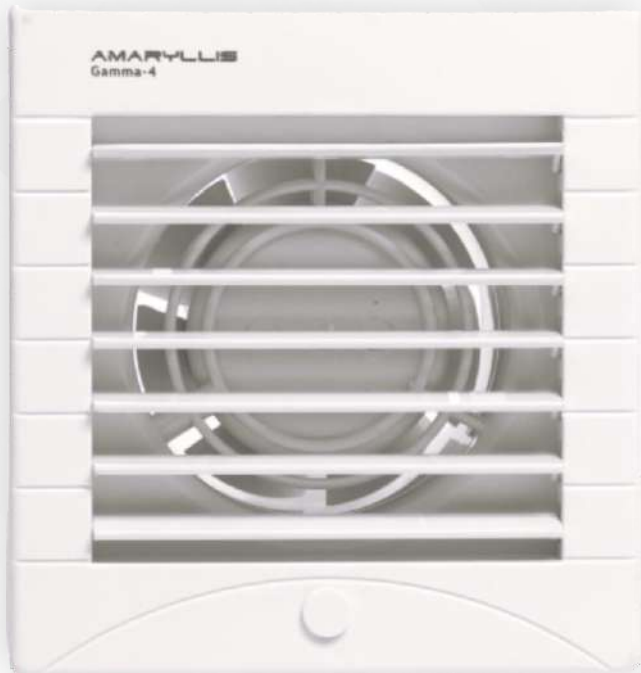
Living Area



Office



Room



Gamma

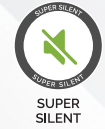
- * Automatic Open/Close Front Shutters
- * Front protection guard
- * Design for wall & windows
- * Low noise level
- * High suction capacity
- * ABS plastic body
- * Silicon steel lamination motor
- * Low power consumption
- * Fully copper winding motor



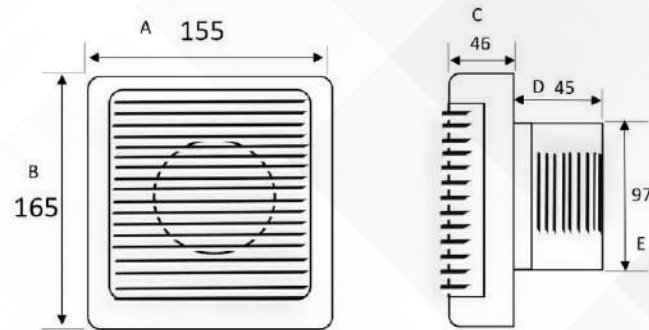
2 YEAR WARRANTY



ENERGY EFFICIENT



SUPER SILENT



Specifications

Model	A(mm)	B(mm)	C(mm)	D(mm)	E(mm)	Volts/Hz	Watts	Air-Flow (m ³ /hr)	Size
GAMMA-4	155	165	46	45	94	220-240/50	15	88	100

breath fresh



Phi
series

Design For:



Bathroom



Kitchen



Living Area



Office



Room



PHI-(I)/PHI-(W)

- * Removable Screw less front for easy cleaning
- * Design for glass, walls & false ceiling
- * Low noise level
- * Screw less installation system
- * High suction capacity
- * Low power consumption
- * ABS plastic body
- * Silicon steel lamination motor
- * Operation Indicator Light
- * Motor is equipped with automatic thermal overload protection
- * Front panel high grade stainless steel (Phi-I Only)
- * Anti-Reflux Shutter .
- * Fully copper winding motor
- * W - White / I-SS finish



2 YEAR WARRANTY



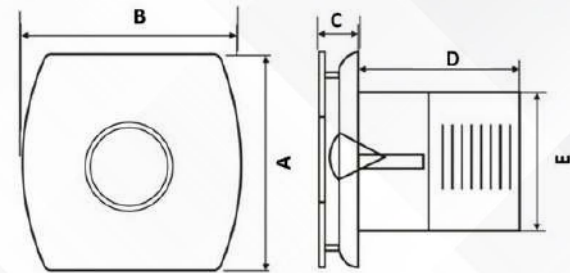
ENERGY EFFICIENT



SUPER SILENT



SCREWLESS INSTALLATION



Specifications

Fan Models	A(mm)	B(mm)	C(mm)	D(mm)	E(mm)	Volts/Hz	Watts	Air-Flow (m ³ /hr)	Size
PHI(I)/(W)-4	140	150	34	86	94	220-240/50	15	88	100
PHI(I)/(W)-5	170	170	32	105	116	220-240/50	20	178	125
PHI(I)/(W)-6	190	193	33	125	145	220-240/50	25	310	150

breath fresh




delta
series

Design For:



Bathroom



Kitchen



Living Area



Office

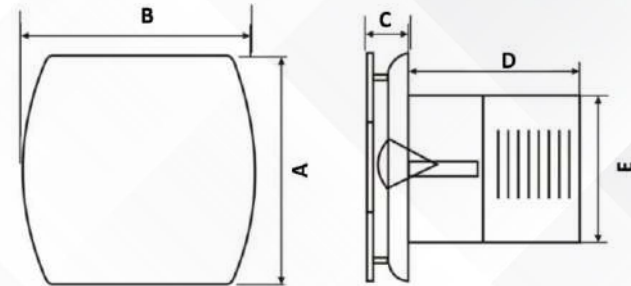


Room



DELTA-(I)/DELTA-(W)

- * Fully Cover Front Panel
- * Removable Screw less front for easy cleaning
- * Design for glass, walls & false ceiling
- * Low noise level
- * Screw less installation system
- * High Suction Capacity
- * Low Power Consumption
- * ABS plastic body
- * Silicon steel lamination motor
- * Motor is equipped with automatic thermal overload protection
- * Front panel high grade stainless steel (Delta-I Only)
- * Anti-Reflex Shutter
- * Fully copper winding motor
- * W - White / I-SS finish



Specifications

Models	A(mm)	B(mm)	C(mm)	D(mm)	E(mm)	Volts/Hz	Watts	Air-Flow (m ³ /hr)	Size
DELTA(I)/(W)-4	150	150	34	86	94	220-240/50	15	88	100
DELTA(I)/(W)-5	170	170	32	105	116	220-240/50	20	178	125
DELTA(I)/(W)-6	190	193	33	125	145	220-240/50	25	310	150
DELTA(W)-8	260	260	44	134	195	220-240/50	25	420	200

breath fresh



Zeta
series

Design For:



Bathroom



Kitchen



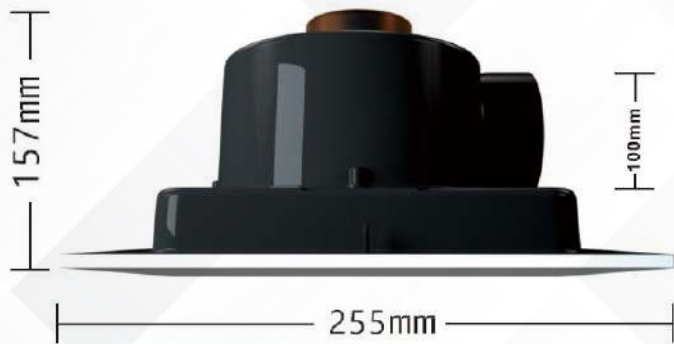
Living Area



Office

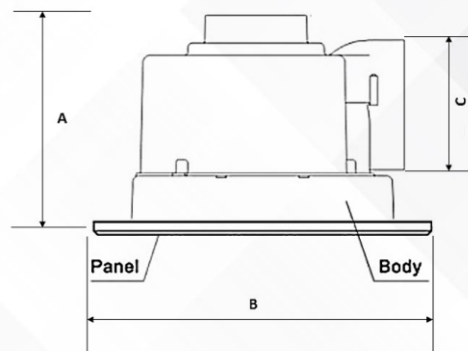


Room



Zeta AW

- * DIY high velocity exhaust fan with fitted back draft damper
- * Turbo cylinder fan blade design for powerful air-steam extraction
- * Square design exhaust fan with removable easy clean cover
- * Ultra quiet motor
- * Easy installation clamps to fit and secure fan into ceiling
- * 100mm diameter side ducting for easy duct installation
- * Easy clean removable fascia
- * Self sealing exhaust damper to prevent drafts
- * Complete with white fascia plate



ZETA-AW-8



ZETA-AW-10

Specifications

Models	A(mm)	B(mm)	C(mm)	Volts/Hz	Watts	Air-Flow (m ³ /hr)	Size
ZETA-AW-8	157	255	100	220-240/50	24	180	100
ZETA-AW-10	160	300	100	220-240/50	25	200	100

breath fresh



Z
Zeta
series

Design For:



Bathroom



Kitchen



Living Area



Office



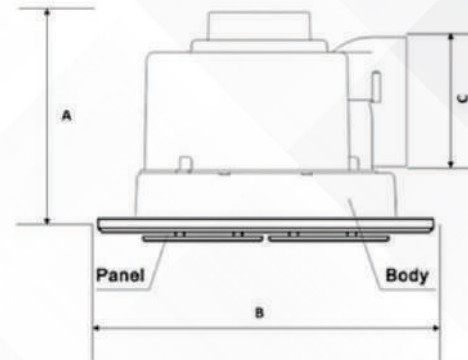
Room



Zeta DW

8 11

- * DIY high velocity exhaust fan with fitted back draft damper
- * Turbo cylinder fan blade design for powerful air-steam extraction
- * Square design exhaust fan with removable easy clean cover
- * Ultra quiet motor
- * Easy installation clamps to fit and secure fan into ceiling
- * 150mm diameter side ducting for easy duct installation in Zeta (DW) -11 and 100mm in Zeta (DW) -8
- * Easy clean removable fascia
- * Self sealing exhaust damper to prevent drafts
- * Complete with white fascia plate



205MMx205MM
CUT OUT

ZETA-DW-8

240MM
CUT OUT
DIAMETER

ZETA-DW-11

Specifications

Models	A(mm)	B(mm)	C(mm)	Volts/Hz	Watts	Air-Flow (m ³ /hr)	Size
ZETA-DW-8	157	255	100	220-240/50	24	180	100
ZETA-DW-11	230	270	150	220-240/50	25	270	150



MULTI PURPOSE SERIES II

2

As the name suggests, it is a versatile fan that can be used for rooms, offices, commercial places or kitchens. It's compact and attractive with the full cover front panel and removable screwless front for easy cleaning.





breath fresh




X
series

Design For:



Bathroom



Kitchen



Living Area



Office



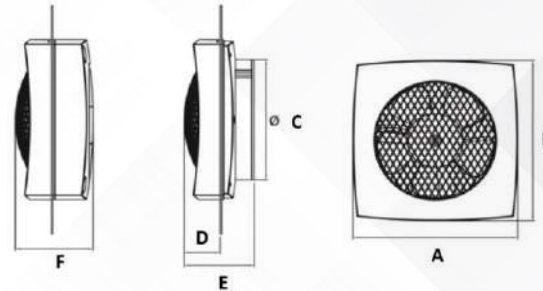
Room



Series-X



- * Multi Purpose Exhaust Fans
- * Ideal for Rooms, Offices & Kitchens
- * Safety Grill Front Panel
- * Design for glass & walls
- * Low noise level
- * High Suction Capacity
- * Low Power Consumption
- * Fully copper winding motor
- * Gravity Shutter



Specifications

Models	A(mm)	B(mm)	C(mm)	D(mm)	D(mm)	D(mm)	Volts/Hz	Watts	Air-Flow (m ³ /hr)	RPM
X-160	210	210	160	46	89	99	220-240/50	25	450	1750
X-190	250	250	194	54	97	109	220-240/50	30	700	1500
X-225	285	285	229	61	110	123	220-240/50	45	900	1150
X-300	370	370	315	77	125	144	220-240/50	50	1450	1050

Cutting size (round)

Models	Wall	Glass
X-160	165mm	186mm
X-190	195mm	225mm
X-225	230mm	270mm
X-300	315 mm	340 mm

breath fresh



Star
series

Design For:



Bathroom



Kitchen



Living Area



Office

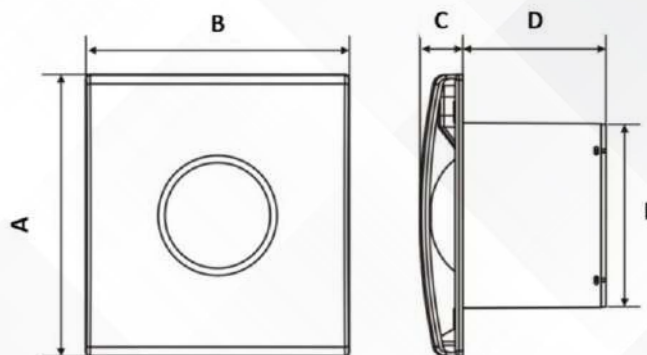


Room



Star-(B) / Star-(W)

- ★ Removable front for easy cleaning
- ★ Design for glass, walls & false ceiling
- ★ Low noise level
- ★ High suction capacity
- ★ Low power consumption
- ★ ABS plastic body
- ★ Silicon steel lamination motor
- ★ Anti-Reflux Shutter
- ★ Fully copper winding motor
- ★ Motor is equipped with automatic thermal overload protection



Specifications

Models	A(mm)	B(mm)	C(mm)	D(mm)	E(mm)	Volts/Hz	Watts	Air-Flow (m ³ /hr)	Size
STAR (B)/(W)-8	267	252	37	129	195	220-240/50	25	420	200

breath fresh




delta
series

Design For:



Bathroom



Kitchen



Living Area



Office



Room



Delta-(W)

- ★ Multi Purpose Exhaust Fans
- ★ Ideal for Rooms, Offices & Kitchens
- ★ Removable Screw less front for easy cleaning
- ★ Design for Glass, walls and ceiling
- ★ Low noise level
- ★ High Suction Capacity
- ★ Low Power Consumption
- ★ ABS plastic body
- ★ Motor is equipped with automatic thermal overload protection
- ★ Fully Cover Front Panel
- ★ Anti-reflux shutter
- ★ Fully copper winding motor
- ★ Screw less installation



2 YEAR WARRANTY



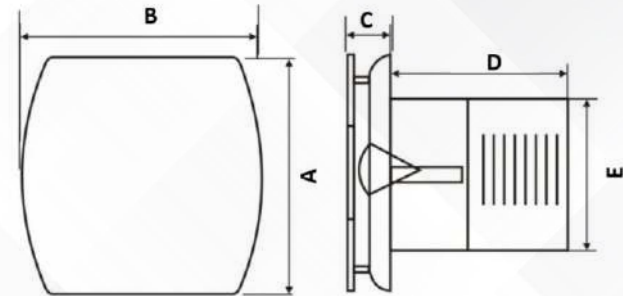
ENERGY EFFICIENT



SUPER SILENT



SCREWLESS INSTALLATION



Specifications

Models	A(mm)	B(mm)	C(mm)	D(mm)	E(mm)	Volts/Hz	Watts	Air-Flow (m ³ /hr)	Size
DELTA(W)-8	260	260	44	134	195	220-240/50	25	420	200



INLINE FANS

INLINE I SERIES III

3

Inline fans are mounted along with the ducting system and are a great option for homeowners who want to keep their fans away from rooms that need ventilation. These are aesthetically pleasing ventilation fans for continuous ventilation to your space.





breath fresh



Sigma
series

Design For:



Bathroom



Kitchen



Living Area



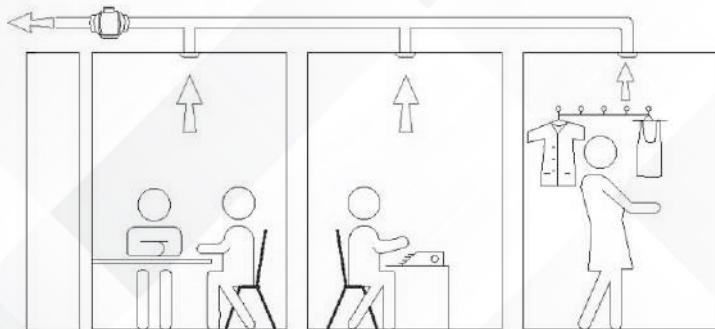
Office



Room



Industry



Sigma



- ★ Ideal for Hot/Cold air Transfer
- ★ Energy Saving Long Life Ball Bearing Motor
- ★ Easy to Install
- ★ Strong Air Flow
- ★ Low noise level
- ★ High Static Pressure
- ★ Fully copper winding motor



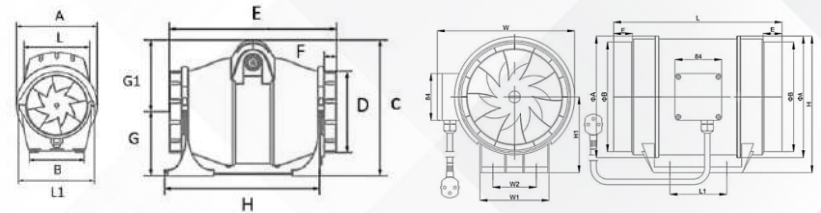
2 YEAR WARRANTY



ENERGY EFFICIENT



SUPER SILENT



Specifications

Models	A(mm)	B(mm)	C(mm)	D(mm)	E(mm)	F(mm)	G(mm)	G1(mm)	H(mm)	L(mm)	L1(mm)
SIGMA-4	180	130	231	98	314	21	115	117	241	155	168
SIGMA-5	168	130	232	122	279	25	115	117	241	155	168
SIGMA-6	192	130	244	147	293	25	115	117	293	155	168
SIGMA-8	211	142	278	197	353	51	140	139	272	161	211

Model	A	B	E	H	H1	L	L1	W	W1	W2
SIGMA-10	251	245	34	275	145	385	133	300	124	100
SIGMA-12	320	310	34	340	175	445	185	360	144	112

Models	Volts/Hz	Watts	Air-Flow (m ³ /hr)
SIGMA-4	220-240/50	25/40	190/270
SIGMA-5	220-240/50	25/40	240/320
SIGMA-6	220-240/50	55/70	415/595
SIGMA-8	220-240/50	65/85	820/910
SIGMA-10	220-240/50	165/225	1065/1400
SIGMA-12	220-240/50	275/390	1750/2200

breath fresh



B
Blow
series

Design For:



Bathroom



Kitchen



Living Area



Office



Room



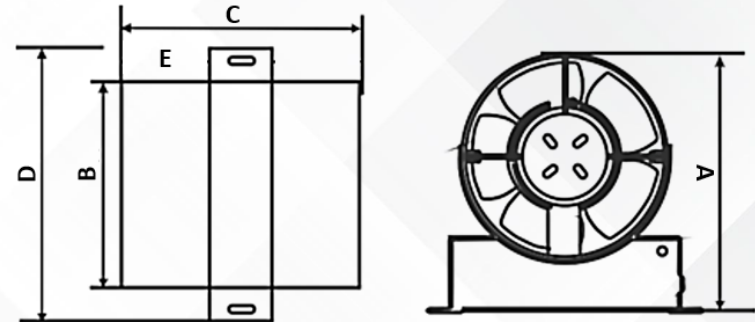
Industry



Blow



- * Ideal for Hot/Cold air Transfer
- * Energy Saving Long Life Ball Bearing Motor
- * Easy to Install
- * Strong Air Flow
- * Low noise level
- * High Static Pressure
- * Ideal for Small ducting
- * Fully copper winding motor



Specifications

FAN Model	A(mm)	B(mm)	C(mm)	D(mm)	E(mm)	Volts/Hz	Watts	Air-Flow (m ³ /hr)	SIZE
BLOW-4	138	98	120	160	36	220-240/50	20	100	100
BLOW-6	188	148	174	198	46	220-240/50	25	245	150



INDUSTRIAL FANS SERIES IV

4

The primary function of industrial fans is to maintain a healthy and safe working environment for workers by maintaining air quality in a closed environment that is constantly exposed to heat, humidity, emissions, and chemicals in the air. Let your workplace breathe out with our high-tech energy-efficient industrial fans!





breath fresh



Metal
Inline

Design For:



Bathroom



Kitchen



Living Area



Office



Room



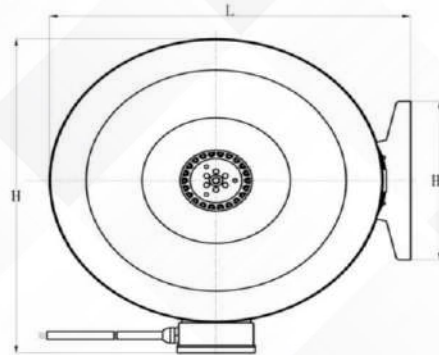
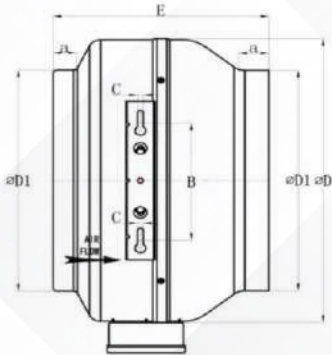
Industry



Metal Inline Series-STF



- ★ Centrifugal fan with backward curved metal impeller
- ★ Compact structure, Easy to install
- ★ Highly efficient ball bearing external rotor motor
- ★ Low noise level
- ★ Strong air flow
- ★ High quality surface coating for strong corrosion resistance
- ★ Motor is equipped with automatic thermal overload protection
- ★ Casing uses high quality steel plate



Specifications

Model	D	D1	E	H	I	A	H1	B	C
STF -100	243	99	198	286	275	25	225	167	7
STF -125	243	124	195	286	275	25	225	167	7
STF -150	333	149	238	376	365	26	225	167	7
STF -160	333	159	236	376	365	27	225	167	7
STF -200	333	199	218	376	365	27.5	225	167	7
STF -250	333	249	199	376	365	32	225	167	7
STF -315	403	314	261	446	438	28	225	167	7
STF -315 X	403	314	261	446	438	28	225	167	7

Models	Volts/Hz	Watts	Air-Flow (m ³ /hr)	RPM
STF-100	220-240/50	80	250	2410
STF-125	220-240/50	80	375	2310
STF-150	220-240/50	150	750	2470
STF-160	220-240/50	180	830	2470
STF-200	220-240/50	200	1030	2410
STF-250	220-240/50	200	1210	2610
STF-315	220-240/50	220	1380	2050
STF-315X	220-240/50	280	1850	2350

breath fresh



Wind
series

Design For:



Bathroom



Kitchen



Living Area



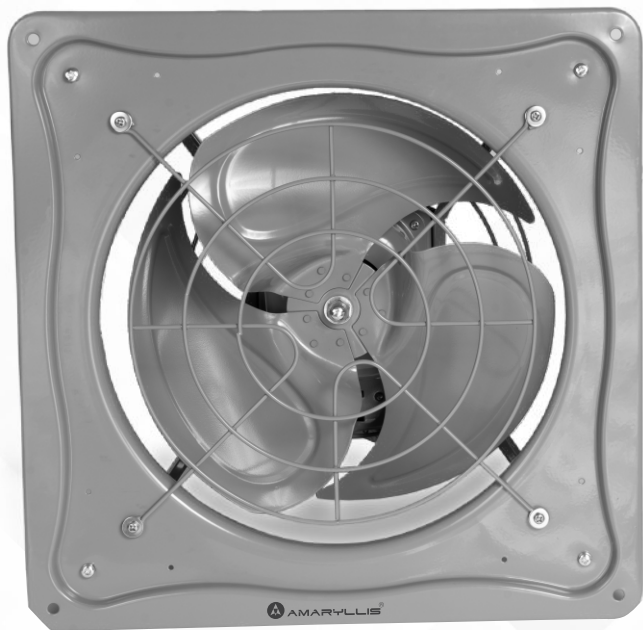
Office



Room

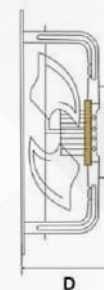
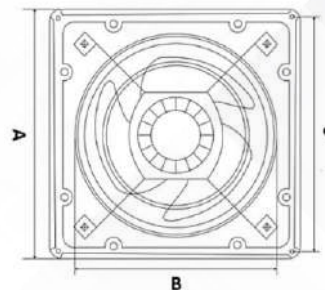


Industry



Wind

- ★ Multi Purpose Exhaust Fans
- ★ Ideal for Rooms, Offices, Kitchens & Commercial use
- ★ Design for walls
- ★ Low noise level
- ★ High suction capacity
- ★ Low power consumption
- ★ Fully copper winding motor



Specifications

Models	A(mm)	B(mm)	C(mm)	Dmm)	Volts/Hz	Watts	Air-Flow (m ³ /hr)	RPM
WIND-10	350	265	325	167	220-240/50	30	880	1350
WIND-12	400	306	370	171	220-240/50	42	1250	1350





ACCESSORIES

5

Amaryllis accessories are designed and engineered specifically for delivering performance and longevity of your Amaryllis products, without sacrificing the architectonic principle of your space. Here we have a wide range of functional, aesthetic and practical accessories to suit your needs.



FIXED PLASTIC GRILL



(FGS-6)



(FGS-4)



ROUND PLASTIC DIFFUSER



(RPD-8)



(RPD-6)



(RPD-4)



SQUARE METAL GRILL



(SMG-12*12)



(SMG-10*10)



(SMG-8*8)



(SMG-6*6)



STAINLESS STEEL GRILL



(G-6) SS



(G-5) SS



(G-4) SS



ROUND METAL DIFFUSER



(RMD-8)



(RMD-6)



(RMD-4)



ALUMINUM FLEXIBLE DUCT PIPE



ALUMINUM FLEXIBLE PIPE CLAMP





AMARYLLIS[®]



AMARYLLIS APPLIANCES (INDIA) PVT. LTD.

85-86 New Manglapuri, M.G Road, New Delhi (India)-110030

Web : www.amaryllisindia.com

Call : 1800 309 7611

Whatsapp : +91-9212493426

Email: info@amaryllisindia.com



SCAN TO KNOW MORE

Follow Us:    